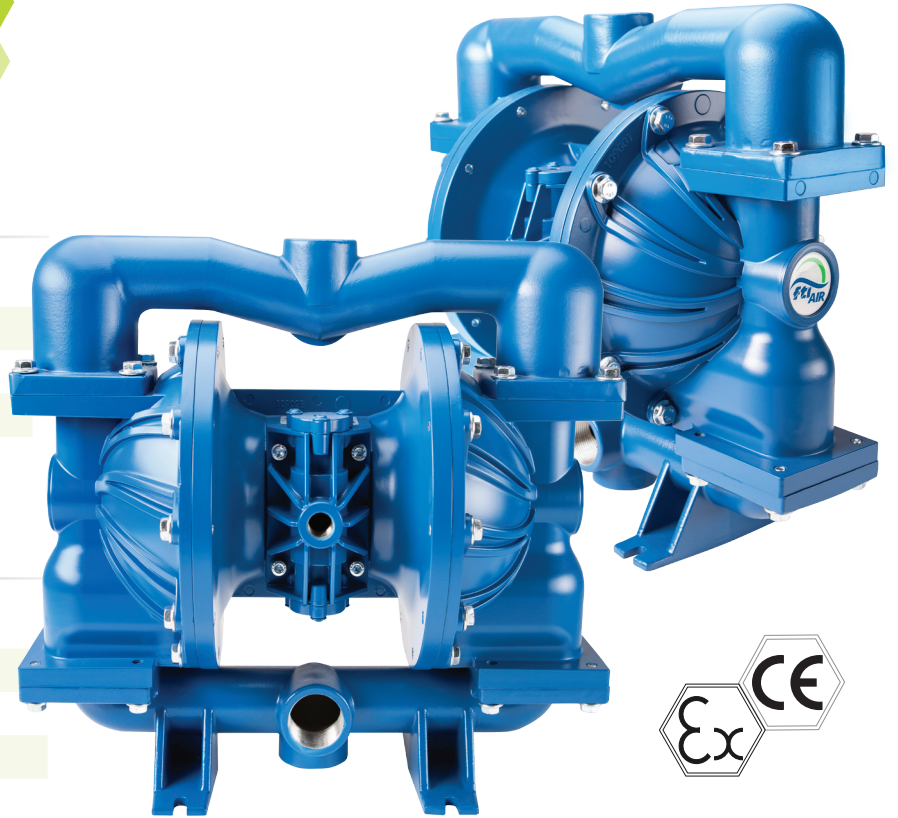




Model FT15ZA Metallic

AIR OPERATED DOUBLE DIAPHRAGM PUMPS



Specifications

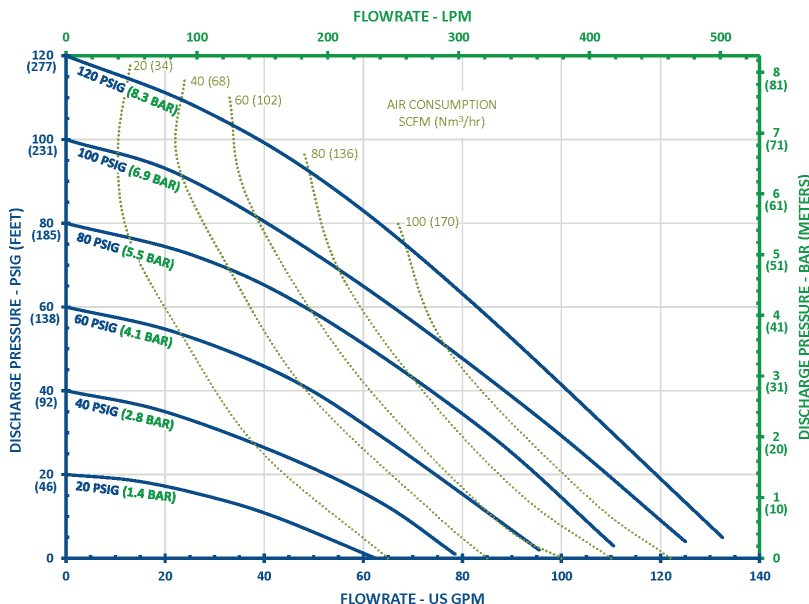
Suction & Discharge Size:	1.5" x 1.5"
Porting Location:	Center Horizontal
Connection Types:	FNPT, FBSPT
Air Inlet & Air Exhaust Size:	1/2" FNPT x 3/4" FNPT

*Optional NPT or BSP threaded center port location in vertical position

Capabilities

Maximum Flow Rate:	133 gpm (503 lpm)
Maximum Air Supply Pressure:	120 psi (8.3 bar)
Displacement Per Stroke:	0.24 gal (0.91 lit)
Minimum Air Inlet Pressure:	10 psig (0.7 bar)
Maximum Particle Size :	0.38 in (9.7 mm)
Sound Pressure:	77 dB(A)
Operating temperature:	Determined by elastomers

FT15Z Performance



Note: Full stroke diaphragm allows performance to be equal for all elastomers.

Typical Applications

- Acids & Bases
- Plating Solutions
- Wastewater
- Paints, Inks, Solvents
- Ceramic Slip and Glaze
- Lubricants and Oils

Typical Industries

- Mining
- Paints and Coatings
- Ceramics
- Pulp and Paper
- Electroplating & Anodizing
- Wastewater
- Marine
- Chemical Manufacturing & Distribution
- OEM's

Construction

Wetted Materials:	Aluminum
Diaphragm Materials:	Neoprene, Santoprene™, FKM, EPDM, PTFE, Buna, Hytrel®, Polyurethane
Air Valve:	GFRPP, Aluminum
Ball Materials:	Neoprene, Buna, EPDM, FKM, Santoprene™, PTFE, 316SS
Seat Materials:	Aluminum, 316SS, PTFE, Hytrel, Buna, Neoprene, EPDM, FKM, Santoprene™, Polyurethane
O-ring Materials:	Neoprene, Buna, EPDM, FKM, PTFE, FEP/FKM, Polyurethane, Santoprene™

Santoprene™ is a registered trademark of Exxon Mobil Corp.
 Hytrel® is a registered trademark of Dupont™
 Pat. <http://ftiair.com/resources/ip/>

CHANGE IS IN THE AIR

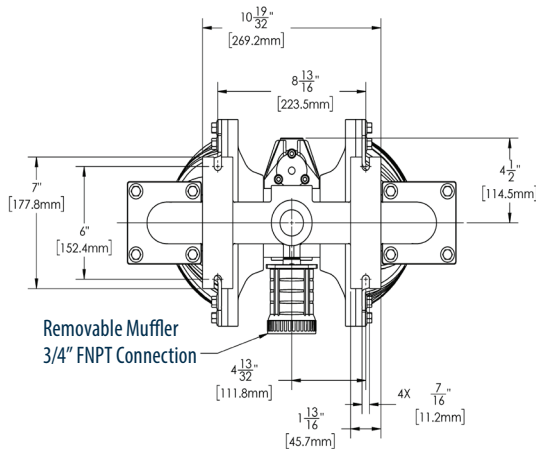
Dimensions

Maximum Height:	17-1/2 in (445 mm)
Maximum Width:	19-7/16 in (494 mm)
Maximum Depth:	11-13/32 in (290 mm)

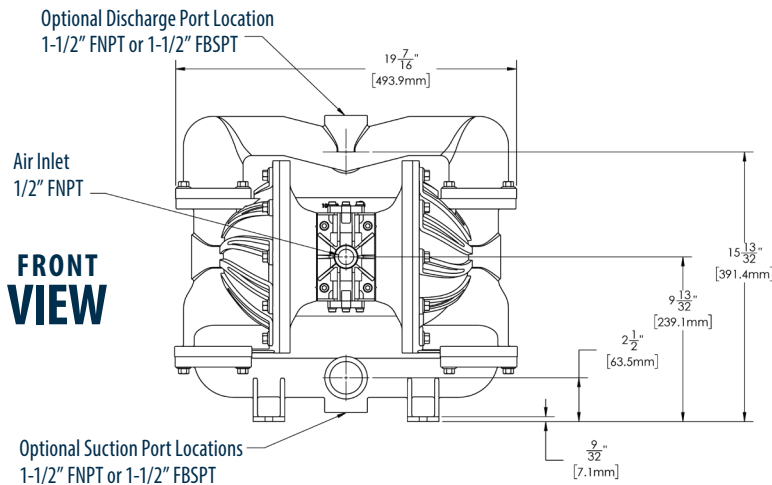
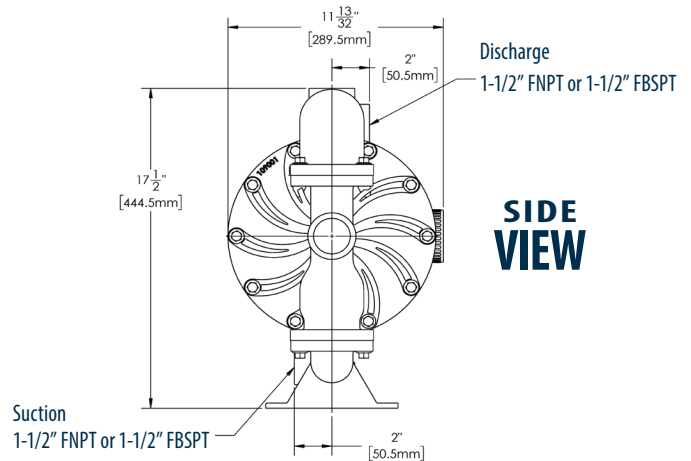
Weight

Aluminum: 52 lb (23.6 kg)

BOTTOM VIEW



SIDE VIEW



FTI AIR

921 GREENGARDEN ROAD ERIE, PA 16501
 Tel: (800) 934-9384 • Fax: (814) 459-3460
www.FTIAIR.com





Model FT15ZS Metallic

AIR OPERATED DOUBLE DIAPHRAGM PUMPS

Specifications

Suction & Discharge Size:	1.5" x 1.5"
Porting Location:	Center Horizontal
Connection Types*:	FNPT, BSPT
Air Inlet & Air Exhaust Size:	1/2" FNPT x 3/4" FNPT

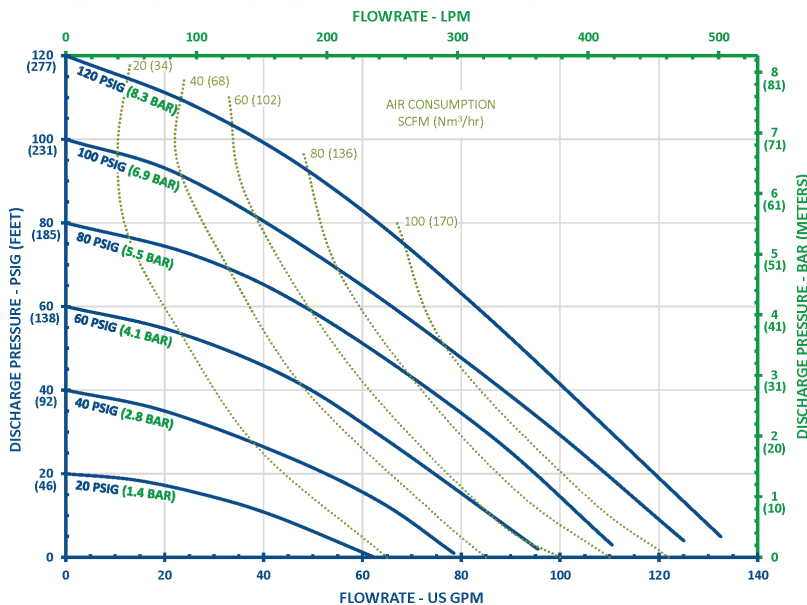
*Optional ANSI/DIN/ISO flange or 2" tri-clamp connection upgrade available upon request

Capabilities

Maximum Flow Rate:	133 gpm (503 lpm)
Maximum Air Supply Pressure:	120 psi (8.3 bar)
Displacement Per Stroke:	0.23 gal (0.91 lit)
Minimum Air Inlet Pressure:	10 psig (0.7 bar)
Maximum Particle Size :	0.38 in (9.7 mm)
Sound Pressure:	77 dB(A)
Operating temperature:	Determined by elastomers



FT15Z Performance



Note: Full stroke diaphragm allows performance to be equal for all elastomers.

Typical Applications

- Acids & Bases
- Plating Solutions
- Wastewater
- Paints, Inks, Solvents
- Ceramic Slip and Glaze
- Lubricants and Oils

Typical Industries

- Mining
- Paints and Coatings
- Ceramics
- Pulp and Paper
- Electroplating & Anodizing
- Wastewater
- Marine
- Chemical Manufacturing & Distribution
- OEM's

CHANGE IS IN THE AIR

Construction

Wetted Materials:	316SS
Diaphragm Materials:	Neoprene, Santoprene™, FKM, EPDM, PTFE, Buna, Hytrel®, Polyurethane
Air Valve:	GFRPP, Aluminum
Ball Materials:	Neoprene, Buna, EPDM, FKM, Santoprene™, PTFE, 316SS
Seat Materials:	Aluminum, 316SS, PTFE, Hytrel®, Buna, Neoprene, EPDM, FKM, Santoprene™, Polyurethane
O-ring Materials:	Neoprene, Buna, EPDM, FKM, PTFE, FEP/FKM, Santoprene™, Polyurethane

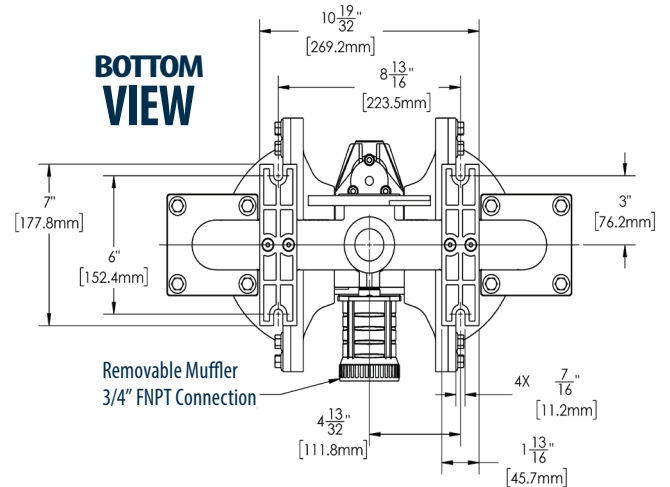
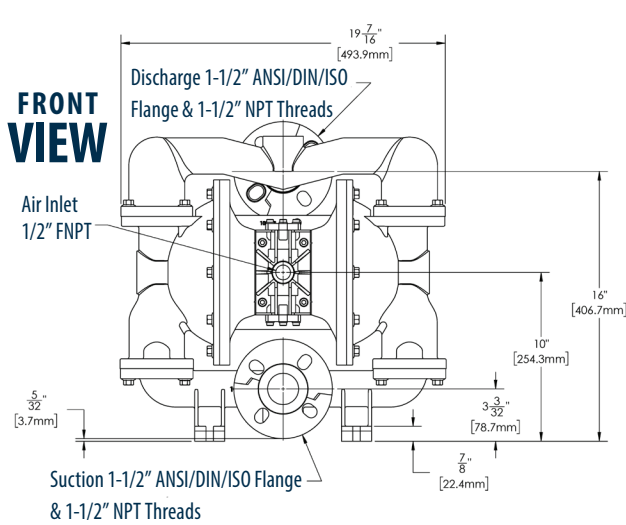
Santoprene™ is a registered tradename of Exxon Mobil Corp.
Hytrel® is a registered tradename of Dupont™

Dimensions

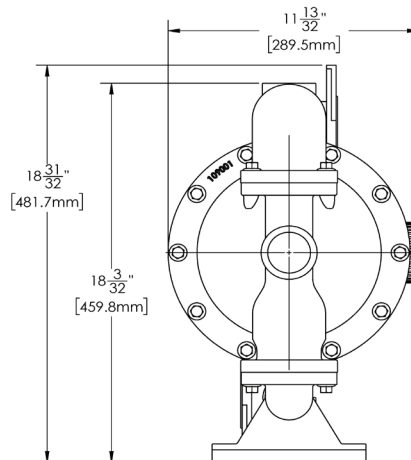
Maximum Height:	18-31/32 in (482 mm)
Maximum Width:	19-7/16 in (494 mm)
Maximum Depth:	11-13/32 in (290 mm)

Weight

316SS:	98 lb (44.5 kg)
--------	-----------------



SIDE VIEW



FTI AIR

921 GREENGARDEN ROAD ERIE, PA 16501
Tel: (800) 934-9384 • Fax: (814) 459-3460
www.FTIAIR.com

